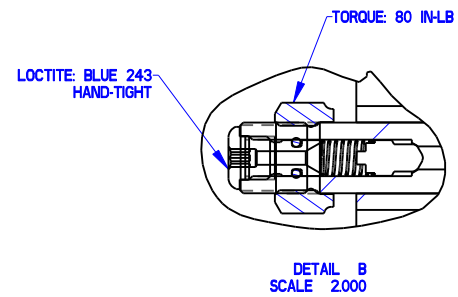
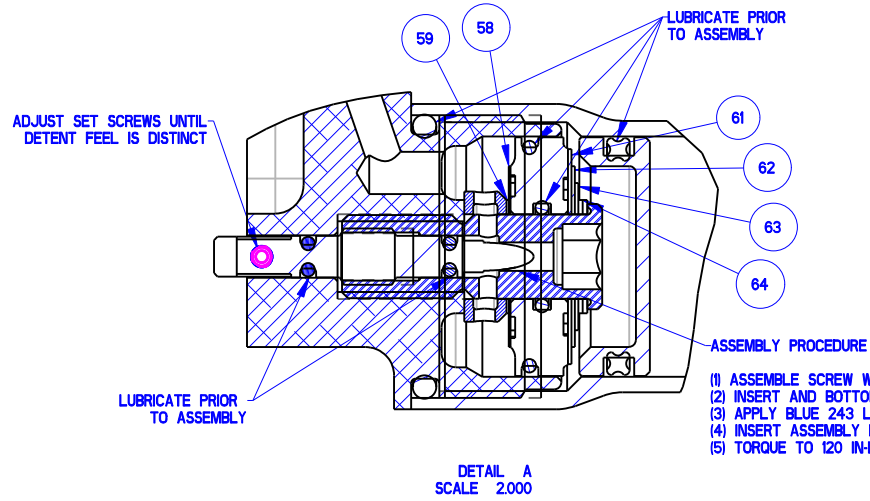
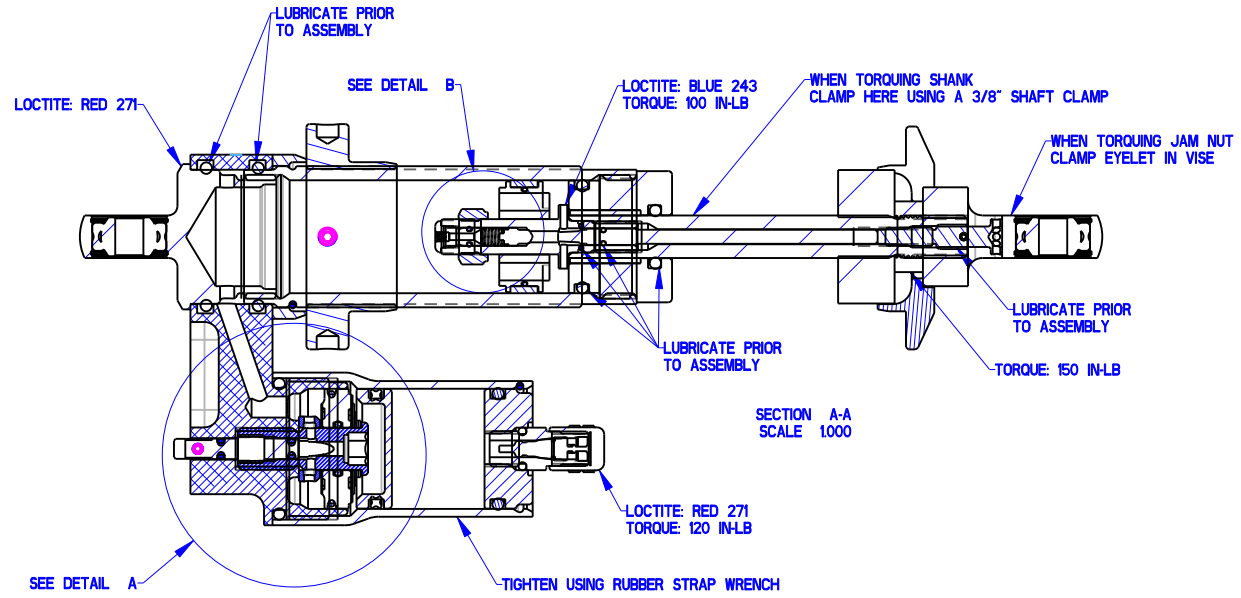
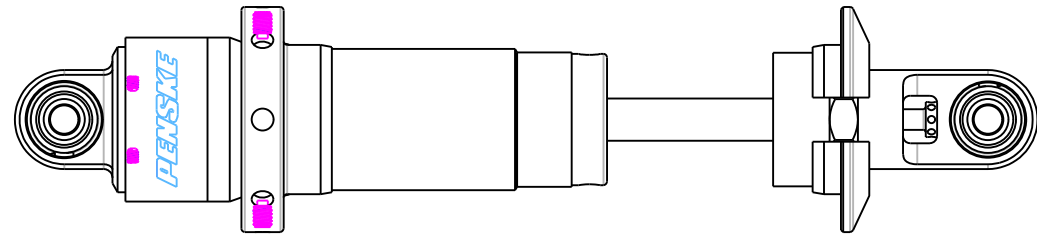
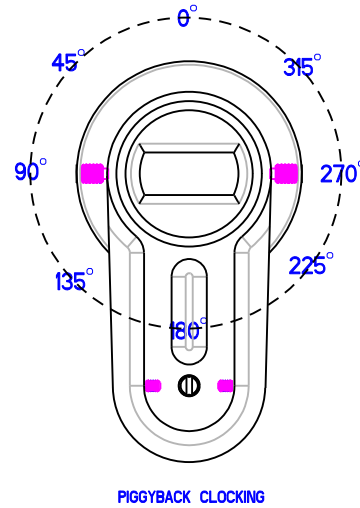


PS 78PB DA X BUILD

NO.	DRAWING	DESCRIPTION	QTTY
1	PS 78PB DA X	SHOCK, FSAE/KAZ TECHNOLOGIES, 7800 DOUBLE-ADJUSTABLE	1
2	BD 78 PB 2	BODY, FSAE/KAZ TECHNOLOGIES 7800 DA	1
3	SB 78 G	SHAFT BEARING, 7800	1
4	HG 78 PB	HOUSING, FSAE/KAZ TECHNOLOGIES 7800 DA C/D	1
5	PI 78 CD	PISTON, FSAE/KAZ TECHNOLOGIES 7800 DA HEAD VALVE	1
6	SC 78 CD	SCREW, FSAE/KAZ TECHNOLOGIES 7800 DA HEAD VALVE PISTON	1
7	NE 78 LS	NEEDLE, FSAE/KAZ TECHNOLOGIES 7800 DA C/D	1
8	PI 78	FLOATING PISTON, 7800 SERIES	1
9	RB 78 PB	RESERVOIR BODY, FSAE/KAZ TECHNOLOGIES 7800 DA	1
10	CD 78 CD	COLLAR, FSAE/KAZ TECHNOLOGIES 7800 DA C/D	1
11	BC 78 PB MK2 196B	BODY CAP, FSAE/KAZ TECHNOLOGIES 7800 DA	1
12	CP 78R	CAP, FSAE/KAZ TECHNOLOGIES 7800 DA RESERVOIR	1
13	CO 78 CLAMP	COLLAR, FSAE/KAZ TECHNOLOGIES 7800 DA BODY	1
14	RR 78 COLLAR	WIRE RING, FSAE/KAZ TECHNOLOGIES 7800 DA BODY COLLAR	1
15	RR 78 RES	WIRE RING, RESERVOIR CAP	1
16	IJ 18 A	INFLATION UNIT ASSY	1
17	IJ 04	STANDARD VALVE CORE	1
18	IJ 18 A	AIR VALVE, PORT O-RING, ALUM.	1
19	IJ 06	INFLATION VALVE CAP	1
20	OR 2010 B	O-RING, BUNA	1
21	AS SH 78 FSAE 2	ASSEMBLY, FSAE/KAZ TECHNOLOGIES 7800 SHAFT	1
22	SH 78 SHANK 6MM	SHAFT SHANK, FSAE/KAZ TECHNOLOGIES 7800 DA	1
23	SH 78 ROD 2	SHAFT, FSAE/KAZ TECHNOLOGIES 7800 DA	1
24	OR 4MMX1 B	O-RING, BUNA	1
25	EY 78 RA MK2 40B	EYELET, FSAE/KAZ TECHNOLOGIES 7800 DA	1
26	NT 78J	JAM NUT	1
27	RS 78	REBOUND SCREW, FSAE/KAZ TECHNOLOGIES 7800 DA	1
28	BA 0625 ST	.0625 STEEL BALL	2
29	SP 3724	CENTURY SPRING	1
30	PI 7800	PISTON, LINEAR, 1000 BORE	1
31	PB BL14M	PISTON BAND, 7800 7800 SERIES	1
32	NE 78 RD 26	NEEDLE, FSAE/KAZ TECHNOLOGIES 7800 DA R/D	1
33	SC DBCHK 084A	SCREW, DB CHECK RETURN	1
34	SP 17	SPRING, DUAL BLEED	1
35	JT DBPOP	POPPET, DUAL BLEED	1
36	OR 20MM 1MM B	O-RING, BUNA	1
37	NT SS 8MM	RING NUT, MS	1
38	OR 2.5MMX1 V	O-RING, BROWN VITON	1
39	MIN COM-4T	MONOBALL	1
40	OR 2MMX1 B	O-RING, BUNA	1
41	RR WH65	RETAINING RING	2
42	SR 78 1330	SPRING RETAINER, FSAE/KAZ TECHNOLOGIES 7800 DA, 1330 ID.	1
43	RH 78 PB 1330	RISE HEIGHT ADJUSTER, FSAE/KAZ TECHNOLOGIES 7800 DA, 1330"	1
44	OR 2122 B	O-RING, BUNA	2
45	OR 2118 B	O-RING	1
46	OR 4118 V	QUAD-RING, VITON	1
47	OR 2121 B	O-RING	1
48	BA 0625 ST	.0625 STEEL BALL	2
49	SC 3-48X125 94105A020	SCREW	2
50	OR 2003 B	O-RING, BUNA	2
51	SC 8-32X187 NYLON TIP 94115A189	SET SCREW	2
52	SP 3724	CENTURY SPRING	2
53	OR 23MMX1 5MM B	O-RING, BUNA	1
54	OR 9 5MMX1 5B	O-RING, BUNA	1
55	BU 06DU10	BUSHING	1
56	OR 210 V	O-RING	1
57	OR 217 B	O-RING	1
58	VW 80004-375	VALVE WASHER	2
59	VW 500010-375	VALVE WASHER	1
60	BR 78 500	BUMP RUBBER	1
61	VW 85015-375	VALVE WASHER	1
62	VW 80015-375	VALVE WASHER	1
63	VW 85015-375	VALVE WASHER	1
64	VW 50020-375	VALVE WASHER	2
65	MIN COM-4T	MONOBALL	1
66	RR WH65	RETAINING RING	2



- ASSEMBLY PROCEDURE
- (1) ASSEMBLE SCREW WITH COMPRESSION VALVING, CD PISTON, REBOUND VALVING AND COLLAR
  - (2) INSERT AND BOTTOM NEEDLE IN SCREW
  - (3) APPLY BLUE 243 LOCTITE TO EXTERNAL SCREW THREADS
  - (4) INSERT ASSEMBLY INTO HOUSING
  - (5) TORQUE TO 120 IN-LBS

REVISIONS		THIRD ANGLE PROJECTION	DO NOT SCALE	IF IN DOUBT - ASK
1	ISSUE	6/21/10		
		THIS DRAWING AND THE INFORMATION CONTAINED HEREIN IS THE PROPERTY OF PENSKE RACING SHOCKS. IT IS PRIVATE AND CONFIDENTIAL AND IS ISSUED ON THE EXPRESSED CONDITION THAT IT IS NOT COMMUNICATED DIRECTLY OR INDIRECTLY, IN WHOLE OR IN PART, OR USED FOR MANUFACTURE OF ANY PARTS SHOWN HEREIN, WITHOUT THE WRITTEN CONSENT OF PENSKE RACING SHOCKS. ACCEPTANCE OF THIS DRAWING WILL BE CONSTRUED AS ACCEPTANCE OF THE FOREGOING CONDITIONS.		
		DESIGNED BY:	CHECKED/PEA BY:	ISSUE DATE:
		TOLERANCES U.S.	GRR	6/21/10
		MATERIAL:	MACH. FINISH:	WEIGHT(LBS):
		FRAC. ± 1/32	32	
		FINISH/PROTECTION:	HEAT TREATMENT:	
		SCALE:	TITLE:	
		1000	KAZ TECHNOLOGIES/FSAE	
		SHEET: 1	ASSEMBLY, 7800 SERIES PIGGYBACK, 2" & 3" STROKE VERSION BUILD	
		OF: 1	DRAWING NUMBER:	
			PS 78PB DA X BUILD	