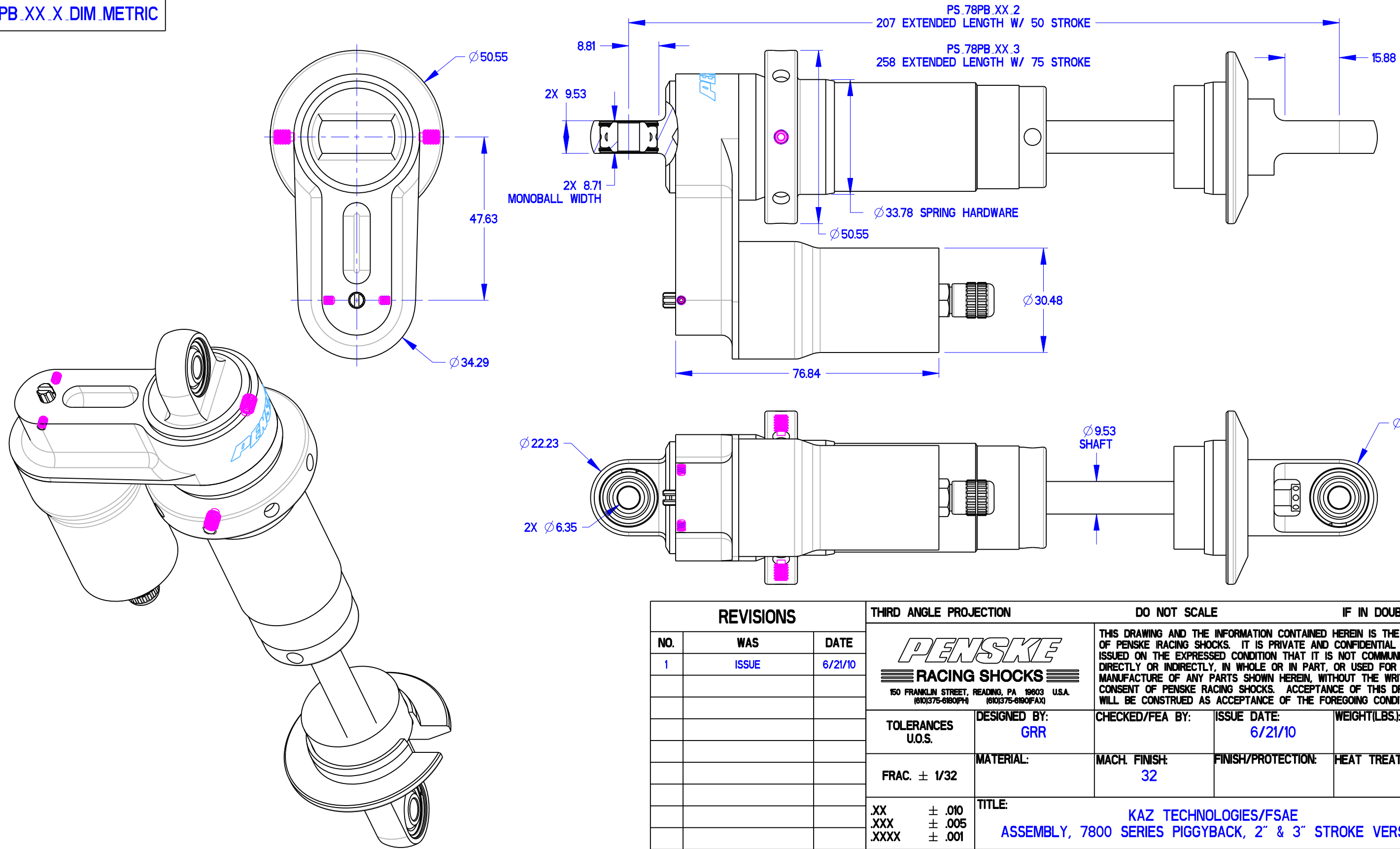


PS_78PB_XX.X_DIM_METRIC

1
2
3
4
5
6
7

A B C D E F G H I J K L



REVISIONS			THIRD ANGLE PROJECTION		DO NOT SCALE		IF IN DOUBT - ASK	
NO.	WAS	DATE	PENSKE RACING SHOCKS		THIS DRAWING AND THE INFORMATION CONTAINED HEREIN IS THE PROPERTY OF PENSKE RACING SHOCKS. IT IS PRIVATE AND CONFIDENTIAL AND IS ISSUED ON THE EXPRESSED CONDITION THAT IT IS NOT COMMUNICATED DIRECTLY OR INDIRECTLY, IN WHOLE OR IN PART, OR USED FOR MANUFACTURE OF ANY PARTS SHOWN HEREIN, WITHOUT THE WRITTEN CONSENT OF PENSKE RACING SHOCKS. ACCEPTANCE OF THIS DRAWING WILL BE CONSTRUED AS ACCEPTANCE OF THE FOREGOING CONDITIONS.			
1	ISSUE	6/21/10	150 FRANKLIN STREET, READING, PA 19603 U.S.A. (610)375-6180(PH) (610)375-6190(FAX)		DESIGNED BY:	CHECKED/FEA BY:	ISSUE DATE:	WEIGHT(LBS.):
			TOLERANCES U.O.S.	GRR			6/21/10	
			FRAC. ± 1/32	MATERIAL:	MACH. FINISH:	FINISH/PROTECTION:	HEAT TREATMENT:	
			.XX ± .010 .XXX ± .005 .XXXX ± .001	TITLE:	KAZ TECHNOLOGIES/FSAE ASSEMBLY, 7800 SERIES PIGGYBACK, 2" & 3" STROKE VERSION			
			ANG. ± 1/2°	SCALE:	SHEET 1 OF 1	DRAWING NUMBER:		
				1.000		PS_78PB_XX.X_DIM_METRIC		