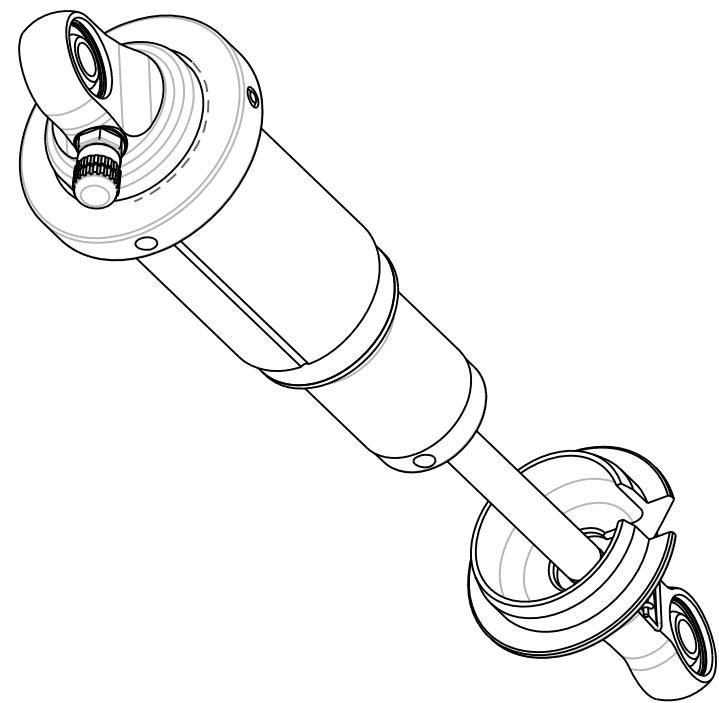
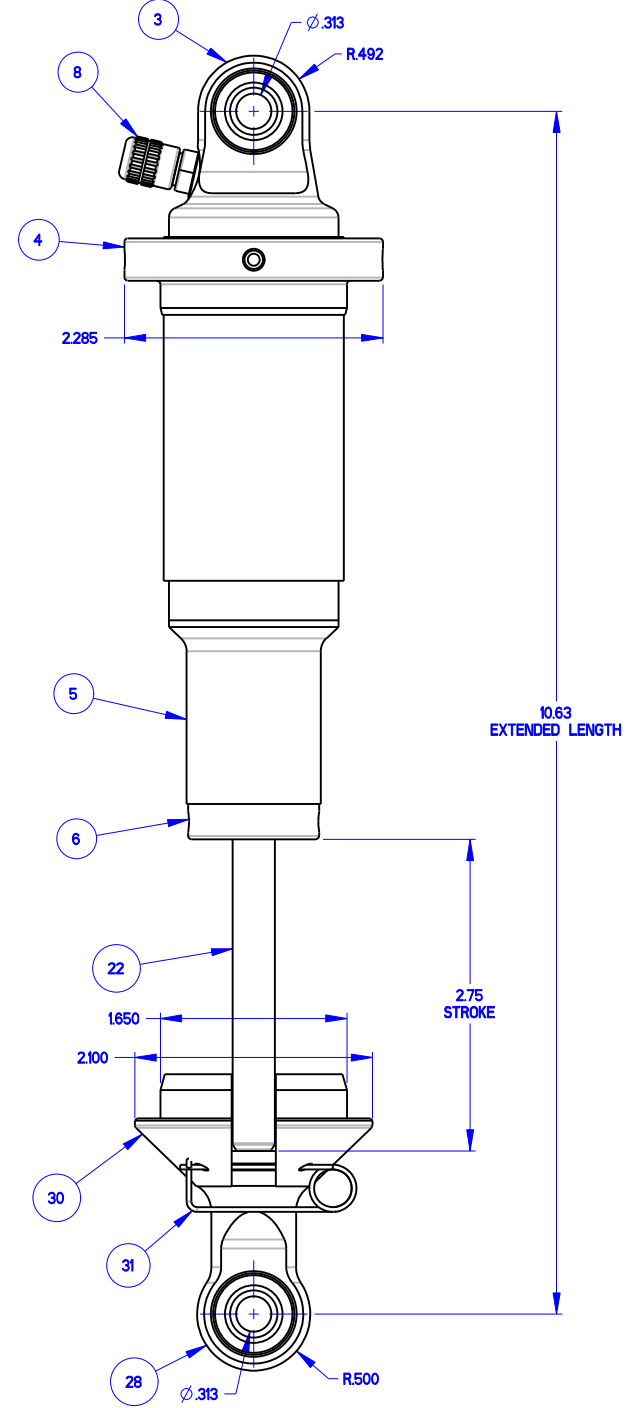
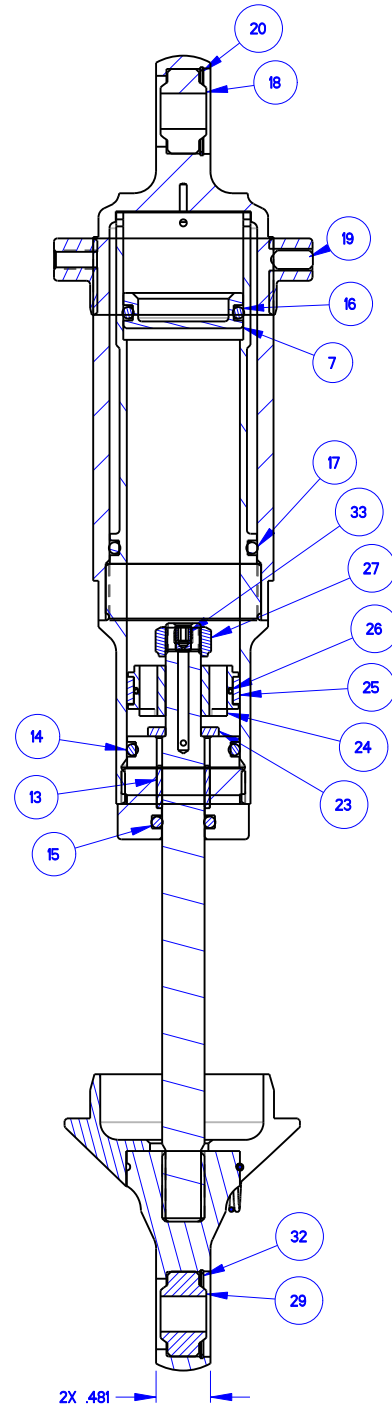


PS.7800NA.109C

NO.	DRAWING #	DESCRIPTION	QTTY
1	PS.7800NA.109C	7800 SERIES, NON-ADJUSTABLE SHOCK	1
2	AS.BD.7800NA	BODY ASSEMBLY, 7800 SERIES	1
3	BC.78	BODYCAP. 7800 SERIES	1
4	RH.78175	RIDE HEIGHT ADJUSTER, 7800 SERIES	1
5	BD.78250	BODY, 7800 SERIES	1
6	SB.78.C	SHAFT BEARING, 7800 SERIES	1
7	PI.78	FLOATING PISTON, 7800 SERIES	1
8	IU.22.S	INFLATION UNIT ASSEMBLY	1
9	IU.04	STANDARD VALVE CORE	1
10	IU.22.S	AIR VALVE, PORT O-RING, S.S.	1
11	IU.06	INFLATION VALVE CAP	1
12	OR.2010.B	O-RING, BUNA	1
13	BU.06DU06	BUSHING	1
14	OR.2117.B	O-RING	1
15	OR.2110.V	O-RING	1
16	OR.2118.B	O-RING	1
17	OR.2122.B	O-RING, BUNA	1
18	MO-5	MONO BALL	1
19	SC.50	SCREW	1
20	VH-75	RETAINING RING	1
21	AS.SH.7800NA	SHAFT ASSEMBLY, 7800 SERIES	1
22	SH.78NA.14M	SHAFT, 7800 NA, 3/8" SHAFT, 8mm SHANK	1
23	VW.78NA.8MM.ST.537A	TOP-OUT PLATE, 7800 SERIES	1
24	PI.LL100.SD	PISTON, LINEAR, 1000 BORE	1
25	PB.BL14M	PISTON BAND, 7800 7800 SERIES	1
26	OR.20MM.1MM.B	O-RING, BUNA	1
27	NT.SS.8MM	RING NUT, M8	1
28	EY.78NA	EYELET, 7800 SERIES	1
29	MO-5	MONO BALL	1
30	SR.78175.126B	SPRING RETAINER, 7800 SERIES	1
31	RR-46	RETAINING RING	1
32	RR.75	RETAINING RING	1
33	JT.XXXVB.239A	JET, VARIABLE BLEED PISTON	1



REVISIONS		THIRD ANGLE PROJECTION	DO NOT SCALE	IF IN DOUBT - ASK
1	ISSUE	8/23/12	THIS DRAWING AND THE INFORMATION CONTAINED HEREIN IS THE PROPERTY OF PENSKE RACING SHOCKS. IT IS PRIVATE AND CONFIDENTIAL AND IS ISSUED ON THE EXPRESSED CONDITION THAT IT IS NOT COMMUNICATED DIRECTLY OR INDIRECTLY, IN WHOLE OR IN PART, OR USED FOR MANUFACTURE OF ANY PARTS SHOWN HEREIN, WITHOUT THE WRITTEN CONSENT OF PENSKE RACING SHOCKS. ACCEPTANCE OF THIS DRAWING WILL BE CONSTRUED AS ACCEPTANCE OF THE FOREGOING CONDITIONS.	
		DESIGNED BY: GRR	CHECKED/PEA BY: JMA	ISSUE DATE: 5/10/10
		TOLERANCES U.S.	MATERIAL:	WEIGHT(LBS.):
		FRAC. ± 1/32	MACH. FINISH: 32	HEAT TREATMENT:
		.XX ± .010 .XXX ± .005 .XXXX ± .001	TITLE: 7800 SERIES NON-ADJUSTABLE, IN-LINE	
		ANG. ± 1/2°	SCALE: 1000	SHEET: 1 OF: 1 DRAWING NUMBER: PS.7800NA.109C